

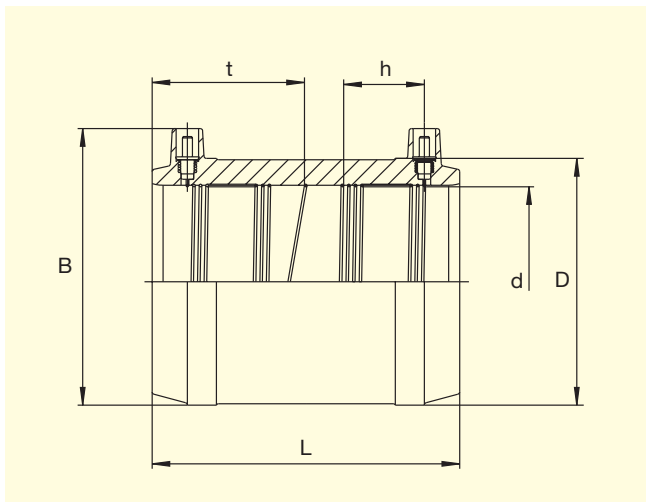
# FRIALEN®-Slide-over Couplers UBI

## PE 3408/4710 SDR 11 / SDR 17 / \*\*SDR 13.5

Maximum working pressure 200 psi (water) / 125 psi (gas)

\*Maximum working pressure 140 psi (water) / 70 psi (gas)

\*\*Maximum working pressure 160 psi (water) / 100 psi (gas)



Dimension	Order-Ref.	VE	PE	D	L	t	h	Weight kg/each
8 IPS	T-615 398	33	33	10.805	9.449	4.725	3.037	5.400
10 IPS	T-615 399	18	18	14.055	11.811	5.906	3.378	11.100
12 IPS	T-615 400	18	18	16.055	11.220	5.610	3.028	12.100
14 IPS	T-615 516	9	9	18.055	11.811	5.906	3.480	18.500
16 IPS	T-615 511	4	4	20.055	12.598	6.299	3.717	23.100
18 IPS	T-615 517	4	4	22.055	13.386	6.693	3.295	29.100
20 IPS	T-615 515	1	4	24.803	14.173	7.087	3.297	38.600
22 IPS*	T-615 727	1	4	24.803	14.567	7.284	3.031	24.600
24 IPS**	T-615 728	1	2	27.953	15.748	7.874	4.093	36.800
28 IPS*	T-615 997		2	31.496	15.748	7.874	3.169	43.000

Dimension	Order-Ref.	VE	PE	D	B	L	t	h	Weight kg/each
4 DIP	T-616 059	22	176	5.709	6.114	6.378	3.189	1.754	0.690
6 DIP	T-615 735			8.858	8.858	8.268	4.134	2.535	3.500
8 DIP	T-615 583			11.079	11.079	9.449	4.725	2.929	5.000
10 DIP	T-615 771			14.031	14.031	11.024	5.512	3.291	10.480
12 DIP	T-615 731			15.803	15.803	11.024	5.512	2.976	10.700
14 DIP**	T-615 772			17.772	17.772	11.472	5.736	3.850	12.100
16 DIP	T-615 763			22.102	22.102	11.417	5.709	3.394	26.700
18 DIP	T-615 773			22.055	22.055	11.417	5.709	3.374	15.400
20 DIP**	T-615 734	1	4	24.858	24.858	11.417	5.709	3.031	21.700
24 DIP	T-616 291	1	1	32.055	32.055	16.535	8.268	4.799	75.600

Ⓢ Separate fusion zones. From 16 DIP and 20 IPS with pre-heating barcode for compensation of a larger annular gap.

FRIALEN®-Safety Fittings can be fused to pipes of SDR stages 9 to 17.6. Frialen Safety Fittings SDR 13.5 and SDR17 can be fused to pipes SDR 11 to 17.6. Approvals: FM200: 8 IPS - 20 IPS, NSF 61: 8 - 24 in.

Please turn over for important information regarding application of **FRIALEN®** Slide-over Coupler UBI.



# **FRIALEN®-Slide-over Couplers UBI**

## **PE 3408/4710 SDR 11 / SDR 17 / \*\*SDR 13.5**

Maximum working pressure 200 psi (water) / 125 psi (gas)

\*Maximum working pressure 140 psi (water) / 70 psi (gas)

\*\*Maximum working pressure 160 psi (water) / 100 psi (gas)

### **Areas of Application**

The FRIALEN®-Coupler UBI is used for pipe connections when laying long runs. Additional areas of application:

- Integration of adapters into an existing pipe-line
- Connection of pipelines with fixed or restraint points
- Reinforcement / sealing of localised pipe damage
- Reinforcement of pinch points

### **Assembly Instructions**

The pipe ends are prepared according to the general installation instructions (see “Assembly Instructions” for FRIALEN®-Safety Fittings for house connections and distribution pipes and FRIALEN®-Special Technology for laying large bore pipes and relining pipe networks). This involves removing the oxide skin and cleaning the pipe ends. Please note that spigot must be at least half as long as the coupler.

To compensate a larger annular gap (> 0,04 inch, 0,12 inch) between coupler and pipe, the pre-heating barcode can be used for couplers UBI from 16 DIP and 20 IPS (see instructions packed up with the coupler). With regard to the couplers UBI 28” 16 in., and bigger, the pre-heating barcode has to be used as well as the FRIALEN® Scraper Tool for scraping the surface of the pipe and a hydraulic rounding clamp for rounding up of oval HDPE.

### **Eleven good reasons for using the FRIALEN®-Slide-over Coupler UBI**

- Large coupler depth for ease of pipe guiding (no holding clamps required)
- Extra wide fusion zones
- Maximum stability through great wall thickness
- Cold zones at the front side and in the middle of the coupler
- Exposed heating coil for direct heat transmission to the pipe
- Small annular gap for build-up of optimum joining pressure in the fusion zone
- Contacts safe to touch
- Fusion indicators for visual fusion control
- From from 16 DIP and 20 IPS: unique pre-heating technique for a optimal gap-bridging
- Durable batch marking
- Individually wrapped for dirt protection

Please find our datasheets for downloading on the internet at [www.friatec.com](http://www.friatec.com)

**For further information, please call our FRIALEN® customer service staff and specialist advisers.**