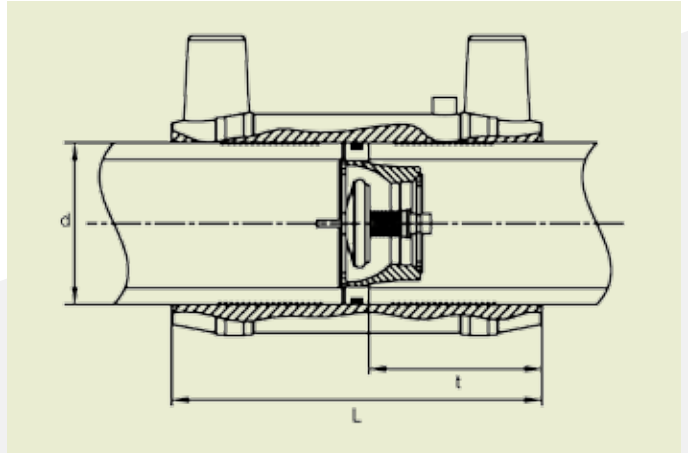


## FRIALEN® SAFETY FITTINGS

### **FRIASTOPP** FRIALEN ELECTROFUSION COUPLERS WITH INTEGRATED MERTIK MAXITROL EXCESS FLOW VALVE (EFVB)



**PE 3408/PE 4710 SDR 11**  
**Maximum working pressure 125 psi (gas)**



d	Type	Order Ref.	Stock-status	BX	PU	L	t	Operating pressure range $p_{min} - p_{max}$ psi	$V_N$ ft <sup>3</sup> /h	Weight kg/each
3/4 IPS	B-EFVB	616331	2	60	3000	2.6	1.2	2 - 125	556 - 1610	0.066
1 CTS	B-EFVB	616332	2	30	1500	3.1	1.4	2 - 125	556 - 1610	0.077
1 IPS	B-EFVB	616333	2	30	1500	3.1	1.4	2 - 125	927 - 2683	0.096
1 1/4 IPS	B-EFVB	616357	2	40	1280	3.3	1.6	2 - 125	1391 - 4024	0.155

$p_{min} - p_{max}$ : min. – max. operating pressure, i.e. incoming pressure.

$V_N$ : nominal flow for  $p_{min} - p_{max}$ , related to natural gas (relative density  $d = 0.6$ ) in standard condition (atmospheric pressure 30" mercury column (101.325 kPa), temperature 59°F (15 °C)) in ft<sup>3</sup>/h.

Type B-EFVB: Mertik Maxitrol® with bypass orifice,  
maximum bypass flow volume: 5 standard ft<sup>3</sup>/h (0.14 m<sup>3</sup>/h) at 10 psi (69 kPa)

## FRIALEN® SAFETY FITTINGS

# FRIASTOPP FRIALEN ELECTROFUSION COUPLERS WITH INTEGRATED MERTIK MAXITROL EXCESS FLOW VALVE (EFVB)

### Areas of Application

FRIASTOPP is used for underground gas service lines according to DOT Title 49 Part 192 with operating pressure from 2 psi – 125 psi.

FRIASTOPP is a device which automatically cuts off the gas flow in the event of pipe damage, e.g. caused by dredging or drilling.

FRIASTOPP is best installed in the branch between mains and service line, immediately behind the tapping tee.

The Mertik Maxitrol® Type B – EFVB meets perfectly the practical requirements of the operating pressure range and the required flow volume. Type B – EFVB boasts a surplus flow bypass.

### Functions

All technical data in detail are given in info sheet “excess flow valve SENTRY GS for underground pipe systems” by Mertik Maxitrol®, [www.mertikmaxitrol.com](http://www.mertikmaxitrol.com).

FRIASTOPP cuts off automatically at a defined gas flow volume as typically occurs when a gas service line is damaged. Gas flow is cut off instantaneously and completely. The type B - EFVB has bypass orifice.

The bypass flow amount here allows the pressure in the intact gas pipe to rise again to allow the gas flow monitor system to reopen automatically.

### Advice on Processing

FRIASTOPP is to be processed according to the installation and operating procedures. Consider the installation instructions and hints which are given on package enclosed leaflet. Constricting the gas route by means of FRIASTOPP is authorised up to 145 psi if the excess flow valve is open. The initial mains pressure of the component may be read on the data plate.

The use of this component should be marked at the main shut-off device of the building (appropriate label or ID card is included with the delivery).

FRIALEN Safety Fittings shall be fused with SDR 11 pipes. Fusion of FRIASTOPP with the HDPE service line takes place using the FRIALEN fusion process – leakproof and longitudinally strong.

Installation is prepared and processed according to the general installation requirements (see “Assembly Instructions” for “FRIALEN Safety Fittings for house connections and distribution pipes up to d225”), i.e. remove oxidic layer and clean.

### Good reasons for using FRIASTOPP:

- Factory made combination made from FRIALEN coupler and Mertik Maxitrol excess flow valve
- The exposed heating coil and the extra wide fusion zones ensure optimum heat transmission

The excess flow valve

- has been adjusted precisely in the factory (VN)
- has low pressure loss
- is largely resistant to contaminants in the gas
- has been successfully applied many thousand times using these principles
- has pressure increase from low to 125 psi possible with suitable network
- Type B - EFVB: can be applied universally from 2 psi to 125 psi
- simple storage
- no danger of confusion
- low operational training cost