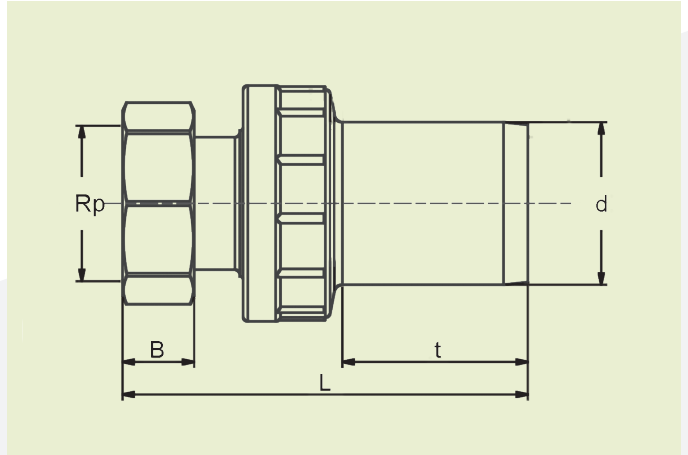


FRIALEN® SAFETY FITTINGS

UAM ET UNIVERSAL ADAPTER HD-PE/BRASS WITH TRAVELLING NUT AND FEMALE THREAD



PE 100 SDR 11
Maximum working pressure 16 bar (water)



| d | Rp | Order Ref. | Stock-status | BX | PU | L | t | B | WS in mm | Weight kg/each |
|----|--------|------------|--------------|-----|------|-----|----|----|----------|----------------|
| 25 | 3/4" | 616654 | 1 | 100 | 3000 | 110 | 44 | 15 | 30 | 0.130 |
| 32 | 1" | 616655 | 1 | 60 | 1800 | 120 | 47 | 15 | 36 | 0.200 |
| 40 | 1 1/4" | 616626 | 1 | 35 | 1050 | 145 | 56 | 22 | 50 | 0.300 |
| 50 | 1 1/2" | 616627 | 1 | 30 | 900 | 150 | 57 | 22 | 58 | 0.600 |
| 63 | 1 1/2" | 616629 | 1 | 20 | 600 | 160 | 63 | 22 | 58 | 0.700 |
| 63 | 2" | 616628 | 1 | 20 | 600 | 170 | 63 | 26 | 67 | 0.840 |

Please observe the marking directly at the product, which is mandatory.

FRIALEN® SAFETY FITTINGS

UAM ET UNIVERSAL ADAPTER HD-PE/BRASS WITH TRAVELLING NUT AND FEMALE THREAD

Areas of Application

The FRIALEN Universal Adapter UAM ET with travelling nut serves to connect metal construction parts which have a screwed connection e.g. valves with an HD-PE connection pipe. The travelling nut admits the replacement of exchangeable components, like water meter. Suitable for water supply or for industrial applications. The version with PE spigot end allows for assembly regardless of location and the homogeneous fusion connection with all suitable FRIALEN fittings (exception of FRIALONG-Long couplers). The threaded joint is according DIN EN 10226-1.

Assembly Instructions

Usually the screw connection needs to be assembled first as assembly related torsion forces should not bear down on the connected PE pipe. The tightening forces must be introduced via the specially designed wrench area on the travelling nut.

The fusion of the PE spigot end with a FRIALEN coupler takes place by using FRIALEN fusion process – leakproof and longitudinally strong.

The installation is according to the general installation instruction (see "Transition Fittings with threaded connection" in "Assembly Instructions" for "FRIALEN-Safety Fittings for house connections and distribution pipes up to d 225"). This involves removing the oxide layer and cleaning the pipe ends.

Good reasons for using the FRIALEN-Universal Adapter UAM ET:

- PE 100 spigot end – quality controlled
- Tested and quality controlled brass quality
- Assembly regardless of location, high degree of flexibility due to separate fusion of PE spigot end
- May be used with all FRIALEN fittings of identical dimensions (exception of FRIALONG-Long couplers)
- Universal combination option with the FRIALEN range
- HD-PE side with spigot end for processing without holding device, designed for FRIALEN couplers
- Pull-proof connection
- Brass side tightly connected with PE spigot end, safe from distortion
- Travelling nut for a comfortable installation to the brass external thread
- Replacement of screw thread-components without further adaptations
- Compact construction
- Additional barcode for tracing back the fitting (Traceability-Coding).
- Oxidic layer may be removed from PE spigot end using scraper tools