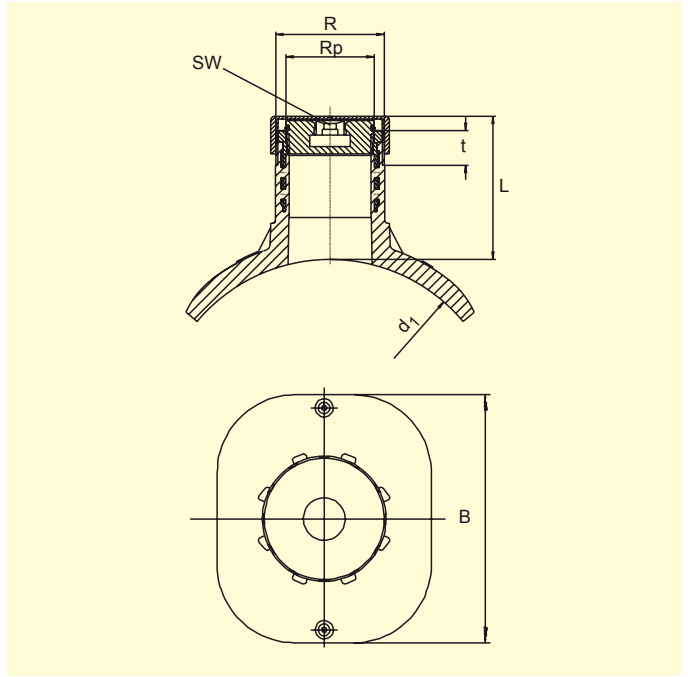


# FRIALEN® Shut off Saddles Top-Loading SPA-TL



## PE 100 SDR 11

Maximum working pressure 16 bar (water)/10 bar (gas)



$d_1$	R	Rp	Order Ref.	Stock-status	BX	PU	L	t	B	SW	Drilling $\varnothing d_a$	Weight kg/each
250-315 ① (560)	G 2 1/2	G 2	<b>615395</b>	1	18	144	115	24	200	19	57	1,358

FRIALEN-Safety Fittings can be fused to pipes of SDR stages 11 to 17.6. Other SDR-stages on request. Please observe the marking directly at the product, which is mandatory.  
 DVGW-Registration No.: DV-8611AU2250

①  $d_1$  up to d 560. Please refer to the instructions of the manufacturer of the balloon.

## FRIALEN® Shut off Saddles Top-Loading SPA-TL

### Areas of Application

FRIALEN-Shut off Saddle SPA-TL is suitable for normal commercial shut off equipment.

### Assembly Instructions

The saddle is clamped onto the pipe with the FRIATOP clamping device (see pricelist "Technical Equipment"). Please read the "Assembly and Operating Instructions for FRIATOP clamping unit (Top-Loading)".

The fusion of the HDPE mains and the FRIALEN-Shut off Saddle Top-Loading takes place by FRIALEN-fusing – leakproof and longitudinally strong.

The pipe and the saddle have to be prepared according to the general installation instructions (see Assembly Instructions for "FRIALEN-Large Pipe Technique for laying large pipes and relining pipe networks"). This involves removing the oxide skin and cleaning the pipe covered by the saddle.

**Eight good reasons for using the FRIALEN-Shut off Saddle SPA-TL:**

- **Compact construction**
- **HDPE saddle with exposed heating element for optimal heat transfer**
- **Compact part suitable for normal commercial shut off equipment for tapping through the saddle**
- **Brass-guide thread permanently and immovable anchored in the HDPE**
- **Includes brass plug with square recess**
- **Protection against access to the dome by fusing on a FRIALEN SPAK**
- **The SPA-TL can be applied universally to large HDPE pipe diameters d 250-315 (560). This means additional economy due to less material needed and less stock both with suppliers and trade**
- **Additional barcode for tracing back the underground fitting (Traceability-Coding).**

**For further information, please call our customer service staff and specialist advisers.**

FRIATEC Aktiengesellschaft · Technical Plastics Division  
P.O.B. 71 02 61 · D-68222 Mannheim  
Telephone +49 621 486-1431 · Telefax +49 621 479196  
www.friatec.com · E-Mail: info-frialen@friatec.de

Please find our datasheets for downloading on the internet at [www.friatec.com](http://www.friatec.com)