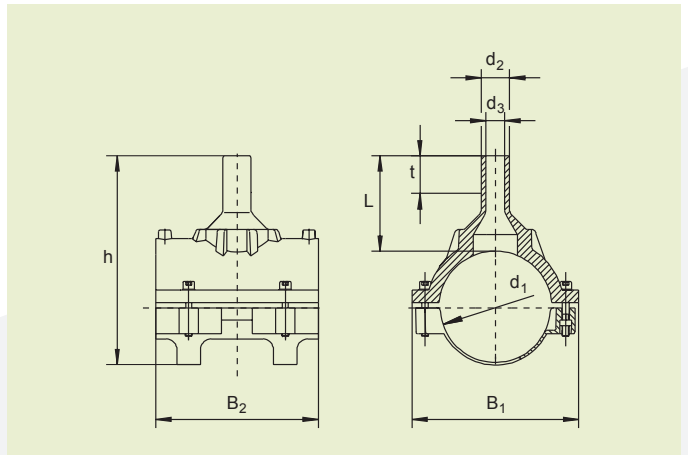


FRIALEN® SAFETY FITTINGS

SA SPIGOT SADDLES



PE 100 SDR 11

Maximum working pressure 16 bar (water)/10 bar (gas)



d ₁	d ₂	Order Ref.	Stock-status	BX	PU	d ₃	L	t	h	B ₁	B ₂	Drilling Ø d ₁	Weight kg/each
63	32	612757	1	20	360	22	100	44	171	108	118	20	0,330
63	50	612759	1	20	360	37	113	55	184	108	118	36	0,370
75	50	615020	1	15	270	38	82	55	167	110	125	36	0,430
90	32	615285	1	20	160	21	103	44	207	155	150	20	0,700
90	63	612819	1	20	160	50	103	63	207	155	150	46	0,720
110	32	615334	1	12	96	24	125	51	238	178	180	20	0,788
110	50	615031	1	12	96	39	132	60	245	178	180	36	0,816
110	63	612760	1	12	96	49	150	81	263	178	180	46	0,868
110	90	615411	1	12	96	70	115	79	228	165	190	65	0,960
125	32	615087	1	12	96	21	109	44	248	190	185	20	0,945
125	63	612761	1	12	96	47	109	63	248	190	185	46	0,990
125	90	615412	1	12	96	70	116	79	243	185	205	65	1,080
125	110	615584	1	10	80	86	116	82	243	185	205	84	1,150
160	32	612886	1	8	64	21	126	44	289	223	265	20	1,440
160	63	612762	1	6	48	47	140	63	303	223	265	46	1,520
160	90	615413	1	2	36	70	140	79	303	223	265	65	1,640
160	110	615739	1	2	36	86	140	82	303	223	265	84	1,765
160	125	615585	1	2	36	98	140	87	303	223	265	95	1,880
180	63	612763	1	6	48	47	109	63	291	240	195	46	1,190
180	90	615414	1	2	36	70	116	79	312	241	285	65	1,820
180	110	615948	1	2	36	86	136	82	319	241	285	84	1,960
180	125	615740	1	2	36	98	141	87	324	241	285	95	2,110
200	63	612764	1	5	40	47	109	63	311	250	195	46	1,260
225	63	612765	1	5	40	47	109	63	336	255	195	46	1,210
225	90	615415	1	5	40	70	130	79	358	284	279	65	1,950
225	110	616044	1	5	40	86	140	82	368	284	279	84	1,960
225	125	616045	1	4	32	97	146	87	374	284	279	95	2,240
225	160	616046	1	4	32	125	157	98	385	284	279	123	2,580

FRIALEN-Safety Fittings can be fused to pipes of SDR stages 11 to 17.6. Saddle parts d 63 can only be fused to pipes of SDR stage 11. Minimum wall thickness $s_{min} \geq 3$ mm. Other SDR-stages on request. Please observe the marking directly at the product, which is mandatory. DVGW-Registration-Nos.: DV-8601AU2248 and DV-8606AU2249

FRIALEN® SAFETY FITTINGS

SA SPIGOT SADDLES

Areas of Application

The FRIALEN-Spigot Saddles SA are used for tapping of depressurised gas- and waterpipes as well as for pressure drainage. The branch line is connected with the outlet spigot by using a FRIALEN coupler UB.

Assembly Instructions

The fusion of the HD-PE distribution pipes and the house connections with FRIALEN-Spigot Saddles SA takes place by FRIALEN-fusing –leakproof and longitudinally strong.

The saddle and the outlet spigot have to be prepared according to the general installation instructions (see “Assembly Instructions” for “FRIALEN-Safety Fittings for house connections and distribution pipes up to d 225”). This involves removing the oxide skin and cleaning the pipes covered by the saddle and the coupler.

Swarfless tapping up to Ø 46 mm, from Ø 65 to Ø 123 mm extremely swarf-reduced by using the tapping equipment of Hütz + Baumgarten.

For pipes without pressure spigot saddles SA can be used as a T-piece with a reduced outlet.

For tapping the main line under operating pressure, please contact our Application Engineering Department.

Good reasons for using the FRIALEN-SA:

- Compact construction
- exposed heating element for optimal heat transfer
- Preassembled unit without loose parts
- Nearly swarfless tapping by tapping equipment of Hütz + Baumgarten
- Low tapping power
- Burr - and nearly ledge - free tapping for a maximum of hydraulic power.
- Leakage free tapping possible by means of a shut off element
- Extra wide fusion zone
- Additional barcode for tracing back the fitting (Traceability-Coding)