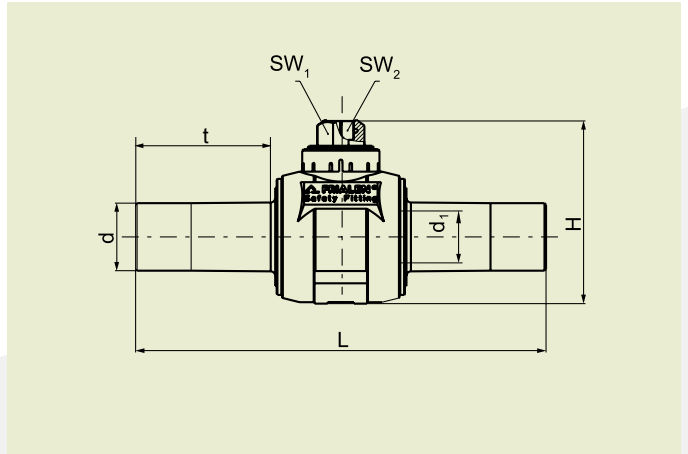


## KHP BALL VALVES IN HD-PE WITH NBR-SEALING, 1/4-TURN



**PE 100 SDR 11**

**Maximum working pressure 10 bar (gas)**



d	d <sub>1</sub>	Order Ref.	Stock-status	BX	PU	L	t	SW <sub>1</sub>	SW <sub>2</sub>	H	Weight kg/each
32	24	612490	1	1	170	310	96	50 x 50	20	136	0.540
40	24	612497	1	1	170	310	96	50 x 50	20	136	0.580
50	24	612492	1	1	170	310	96	50 x 50	20	136	0.680
63	43	612494	1	1	50	410	128	50 x 50	25	193	2.300
90	67	612495	1	1	24	553	154	50 x 50	25	241	4.200
110	67	612493	1	1	24	553	154	50 x 50	25	241	4.500
125	67	612496	1	1	24	553	154	50 x 50	25	241	5.200
160	98	612483	1	1	8	539	202	50 x 50	25	332	12.000
180	98	615309	1	1	8	539	202	50 x 50	25	332	12.500
200	98	612480	3	1	8	539	202	50 x 50	25	332	13.500
225	98	616186	1	1	8	539	202	50 x 50	25	332	14.500

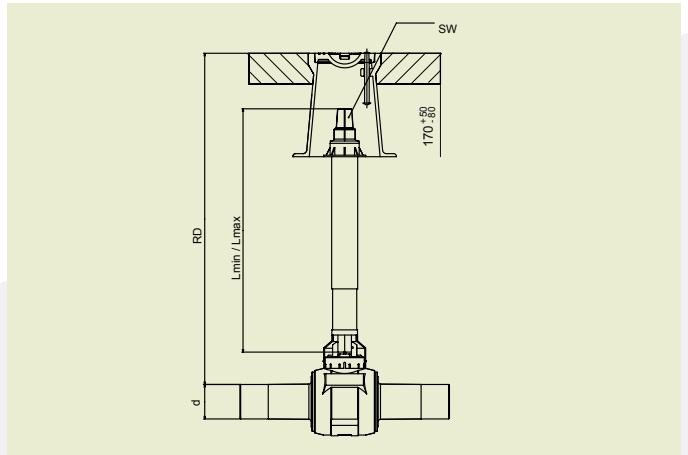
FRIALEN-Safety Fittings can be fused to pipes of SDR-stages 11 to 17.6. Minimum wall thickness  $s_{min} \geq 3$  mm.

Other SDR-stages on request. Please observe the marking directly at the product, which is mandatory.

DVGW-Registration Nos.: DG-8631AU2251, DG-8631AU2252 and DG-8631AU2253

## FRIALEN® SAFETY FITTINGS

### **BS** INSTALLATION KITS FOR BALL VALVES AND TAPPING BALL VALVES (STANDARD AND TOP-LOADING)



d	RD in m	Order Ref.	Stock-status	BX	PU	Lmin	Lmax	SW <sub>1</sub>	Weight kg/each
20-50	0,45-0,70	615741	1	1	42	398	543	30	1.800
20-50	0,60-1,00	615957	1	1	42	548	843	14	2.700
20-50	0,60-1,00	615328	1	1	42	490	785	30	2.000
20-50	1,00-1,50	616466	1	1	42	759	1303	14	3.400
20-50	1,00-1,50	615330	1	1	42	799	1343	30	3.400
20-50	1,20-2,00	616068	1	1	42	991	1785	14	3.450
20-50	1,20-2,00	615329	1	1	42	1049	1843	30	3.650
63-225	0,60-1,00	615958	1	1	42	537	812	14	2.050
63-225	0,60-1,00	615310	1	1	42	490	785	30	3.050
63-225	1,00-1,50	616467	1	1	42	746	1272	14	4.150
63-225	1,00-1,50	615331	1	1	42	786	1312	30	4.150
63-225	1,20-2,00	616069	1	1	42	980	1754	14	3.600
63-225	1,20-2,00	615311	1	1	42	1038	1812	30	5.250

Key width SW<sub>1</sub> 14 mm for use as house connection fitting

Other length on request.

## FRIALEN® SAFETY FITTINGS

### **KHP** BALL VALVES IN HD-PE WITH NBR-SEALING, 1/4-TURN

#### Areas of Application

The FRIALEN-Ball Valve KHP with NBR-sealing is suitable for shutting off sections of the main and also for isolating house connection pipes. The Ball Valve KHP can be applied in pipe systems for gas supply and for compressed air.

The Ball Valve KHP is opened and closed by a 1/4-turn with the installation kit BS. The installation kit allows the operation from the street cap and is optimal adapted to the FRIALEN-Ball Valve KHP. For further information see this data sheet page 2. or data sheet installation kit BS No. 22/00.

#### Assembly Instructions

The FRIALEN-Ball Valve KHP is connected to the pipe by using Couplers, Elbows or T-Pieces fused to its ends. It is suitable both for shutting off sections of the main and also for isolating house connection pipes.

The connection with HD-PE pipes takes place by FRIALEN-fusing – leakproof and longitudinally strong.

The spigot ends to be fused are prepared according to the general installation instructions (see “Assembly Instructions” for “FRIALEN-Safety Fittings for house connections and distribution pipes up to d 225”). This involves removing the oxide layer and cleaning the pipe ends.

Before fusion the FRIALEN-Ball Valve KHP must be lined up to suit the type of actuation intended, in order to ensure that the installation kit BS will be placed correctly.

#### Good reasons for using the FRIALEN-Ball Valve KHP:

- The FRIALEN-Ball Valve provides a completely fused HD-PE pipe network, without transitions to other materials or flange connections
- Another step towards a pure PE-pipe system
- Floating ball, axial seals in the ball axle and combination of ball guidance and ball seal in one part compensate for bending defects
- No deposits on internal areas, resistant to chemical and electrical reactions
- No corrosion proofing required
- Particularly little pressure loss, optimum flow speed
- Low activating element, low weight
- Extra long spigot ends dimensioned for two fusion operations
- Actuating of the KHP with the telescopic installation kit BS
- Additional barcode for tracing back the underground fitting (Traceability-Coding)