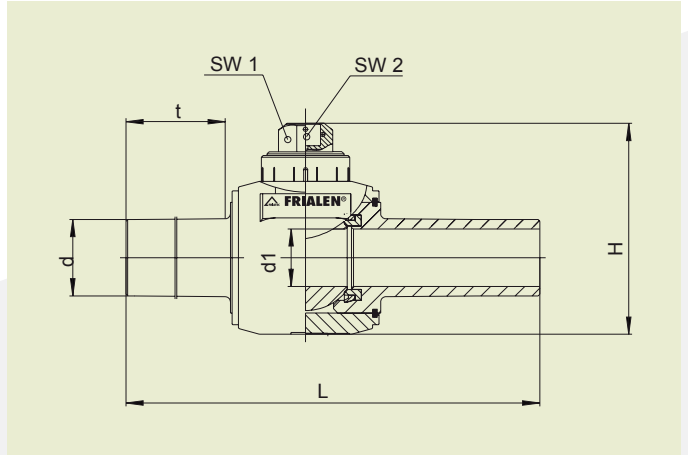
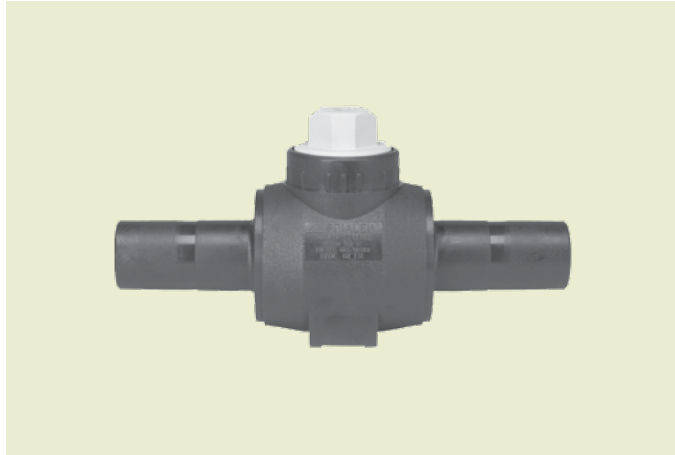


FRIALEN® SAFETY FITTINGS

KH BALL VALVES IN HD-PE WITH NBR-SEALING, 1/4-TURN, FULL PORT PASSAGE



PE 100 SDR 11

Maximum working pressure 10 bar (gas)



d	d ₁	Order Ref.	Stock-status	BX	PU	L	t	SW ₁	SW ₂	H	Weight kg/each
20	24	616470	1	1	170	310	98	50 x 50	20	138	0.500
25	24	616471	1	1	170	310	98	50 x 50	20	138	0.550
32	34	616176	1	1	100	324	108	50 x 50	20	156	0.770
40	34	616177	1	1	100	324	108	50 x 50	20	156	0.800
50	43	616178 ①	1	1	50	405	129	50 x 50	25	193	2.240
63	51	616179	1	1	50	410	134	50 x 50	25	206	2.420
90	98	616180	1	1	18	577	173	50 x 50	25	288	6.600
110	98	616181	1	1	18	577	173	50 x 50	25	288	6.750
125	98	616182	1	1	18	577	173	50 x 50	25	288	6.900

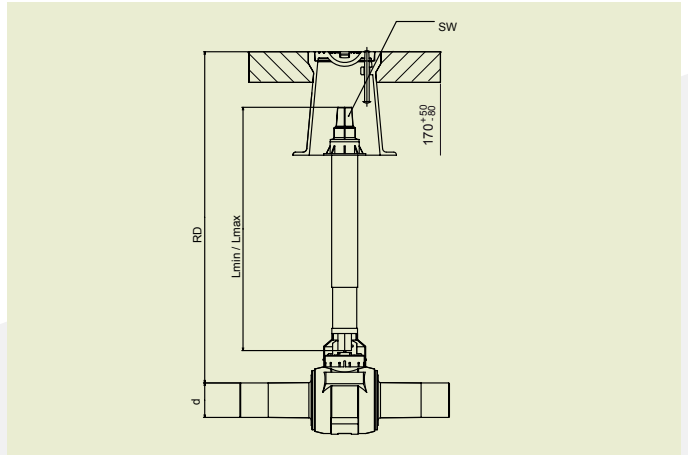
FRIALEN-Safety Fittings can be fused to pipes of SDR-stages 11 to 17.6. Minimum wall thickness $s_{min} \geq 3$ mm.

Other SDR-stages on request. Please observe the marking directly at the product, which is mandatory.

DVGW-Registration Nos.: DG-8631AU2251 and DG-8631AU2252

① BS d 63 - d 225 required

BS INSTALLATION KITS FOR BALL VALVES AND TAPPING BALL VALVES (STANDARD AND TOP-LOADING)



d	RD in m	Order Ref.	Stock-status	BX	PU	Lmin	Lmax	SW ₁	Weight kg/each
20-50	0,45-0,70	615741	1	1	42	398	543	30	1.800
20-50	0,60-1,00	615957	1	1	42	548	843	14	2.700
20-50	0,60-1,00	615328	1	1	42	490	785	30	2.000
20-50	1,00-1,50	616466	1	1	42	759	1303	14	3.400
20-50	1,00-1,50	615330	1	1	42	799	1343	30	3.400
20-50	1,20-2,00	616068	1	1	42	991	1785	14	3.450
20-50	1,20-2,00	615329	1	1	42	1049	1843	30	3.650
63-225	0,60-1,00	615958	1	1	42	537	812	14	2.050
63-225	0,60-1,00	615310	1	1	42	490	785	30	3.050
63-225	1,00-1,50	616467	1	1	42	746	1272	14	4.150
63-225	1,00-1,50	615331	1	1	42	786	1312	30	4.150
63-225	1,20-2,00	616069	1	1	42	980	1754	14	3.600
63-225	1,20-2,00	615311	1	1	42	1038	1812	30	5.250

Key width SW₁ 14 mm for use as house connection fitting

Other length on request.

For full-port passage ball valve KH d50 select version BS d63-225

FRIALEN® SAFETY FITTINGS

KH BALL VALVES IN HD-PE WITH NBR-SEALING, 1/4-TURN, FULL PORT PASSAGE

Areas of Application

The FRIALEN-Ball Valve KH with NBR-sealing is suitable for shutting off sections of the main and also for isolating house connection pipes. The Ball Valve KH can be applied in pipe systems for gas supply and for compressed air.

The passage of the valve (d1) corresponds approx. with the internal diameter of the pipe socket SDR without constriction.

The Ball Valve KH is opened and closed by a 1/4-turn with the installation kit BS. The installation kit allows the operation from the street cap and is optimal adapted to the FRIALEN-Ball Valve KH. For further information see this data sheet page 2. or data sheet installation kit BS No. 22/00.

Assembly Instructions

The FRIALEN-Ball Valve KH is connected to the pipe by using Couplers, Elbows or T-Pieces fused to its ends. It is suitable both for shutting off sections of the main and also for isolating house connection pipes.

The connection with HD-PE pipes takes place by FRIALEN-fusing – leakproof and longitudinally strong.

The spigot ends to be fused are prepared according to the general installation instructions (see “Assembly Instructions” for “FRIALEN-Safety Fittings for house connections and distribution pipes up to d 225”). This involves removing the oxide layer and cleaning the pipe ends.

Before fusion the FRIALEN-Ball Valve KH must be lined up to suit the type of actuation intended, in order to ensure that the installation kit BS will be placed correctly.

Good reasons for using the FRIALEN-Ball Valve KH:

- The FRIALEN-Ball Valve provides a completely fused HD-PE pipe network, without transitions to other materials or flange connections
- Another step towards a pure PE-pipe system
- Good testability due to lack of constriction of internal diameter
- Floating ball, axial seals in the ball axle and combination of ball guidance and ball seal in one part compensate for bending defects
- No deposits on internal areas, resistant to chemical and electrical reactions
- No corrosion proofing required
- Optimum hydraulics due to pipe identical passage and contour providing ease of flow, optimum flow speed
- Low activating element, low weight
- Extra long spigot ends dimensioned for two fusion operations
- Actuating of the KH with the telescopic installation kit BS
- Additional barcode for tracing back the underground fitting (Traceability-Coding)