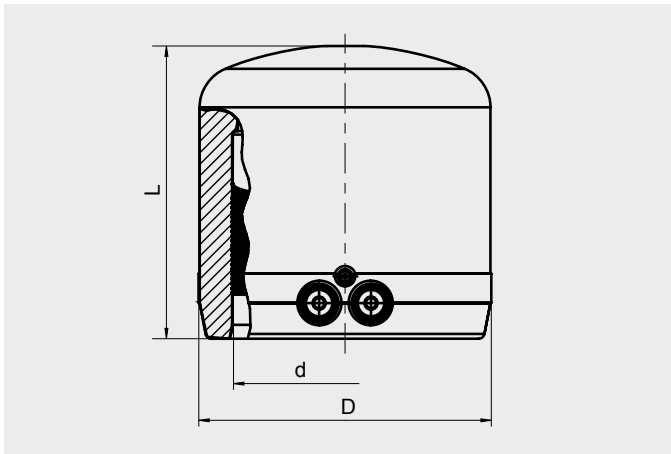


FRIALEN® Safety Fittings

K Cap for Pressure Tapping Tees


PE 100 SDR 11

Maximum working pressure 16 bar (water)/10 bar (gas)



d	Order Ref.	Stock-status	BX	PU	D	L	f	h	B	Weight kg/each
50	612310	1	30	960	69	72	55	28	82	0.110

FRIALEN-Safety Fittings can be fused with pipes of SDR stages 11 to 17.6. Minimum wall thickness $s_{min} \geq 3$ mm. Other SDR-stages on request. Please observe the marking directly at the product, which is mandatory. DVGW-Registration No.: DV-8601AU2248

FRIALEN® Safety Fittings

K Cap for Pressure Tapping Tees

Areas of Application

The FRIALEN-Cap is used for final sealing of the drill socket (dome) of a Pressure Tapping Tee DAA \geq d 90/xx or SPA d 63. Also suitable as a sealing cap for d 50 pipes.

Assembly Instructions

The fusion of the dome of a FRIALEN-Pressure Tapping Tee with the FRIALEN-Cap K takes place by FRIALEN-fusing – leakproof and longitudinally strong.

The dome is prepared according to the general installation instructions (see “Assembly Instructions” for “FRIALEN-Safety Fittings for house connections and distribution pipes up to d 225”).

Good reasons for using the FRIALEN-Cap K:

- Large insertion depth for ease of pipe guiding
- Maximum stability through great wall thickness
- Cold zones at the end to prevent the flow of molten material
- Exposed heating coils for optimal heat transfer to the pipe
- Small annular gap for build-up of optimum joining pressure in the fusion zone
- Contacts safe to touch
- Durable batch marking
- Individually wrapped for dirt protection
- Additional barcode for tracing back the fitting (Traceability-Coding)