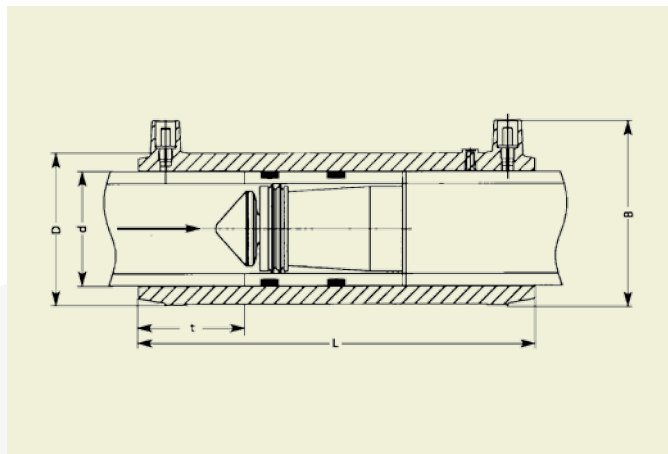


FRIALEN® SAFETY FITTINGS

FRIASTOPP LONG COUPLERS WITH INTEGRATED PIPELIFE GAS-STOP™ SYSTEM



PE 100 SDR 11

Maximum working pressure type U, U_{UE}, S: 5 bar (gas), type A/D: 1 bar (gas)



d	Type	Order Ref.	Stock-status	BX	PU	D	L	t	Operating pressure range p _{min} - p _{max}	VN	Weight kg/each
32	U	616199	1	40	1280	45	136	38	35 mbar - 5 bar	16 - 38	0.140
32	UUE	616200	1	40	1280	45	136	38	35 mbar - 5 bar	16 - 38	0.140
50	U	616201	1	20	640	68	175	54	35 mbar - 5 bar	38 - 91	0.350
50	UUE	616202	1	20	640	68	175	54	35 mbar - 5 bar	38 - 91	0.350
63	U	616203	1	12	384	82	197	59	35 mbar - 5 bar	58 - 140	0.560
63	UUE	616204	1	12	384	82	197	59	35 mbar - 5 bar	58 - 140	0.560
32	A/D	616205	1	40	1280	45	136	38	25 mbar - 1 bar	10 - 14	0.140
50	A/D	616207	1	20	640	68	175	54	25 mbar - 1 bar	25 - 36	0.350
63	A/D	616209	1	12	384	82	197	59	25 mbar - 1 bar	40 - 55	0.560
32	S	616339	1	40	1280	45	136	38	200 mbar - 5 bar	36 - 80	0.140
50	S	616340 ①	3	20	640	68	175	54	200 mbar - 5 bar	110 - 240	0.350
63	S	616341 ①	3	12	384	82	197	59	200 mbar - 5 bar	180 - 400	0.560

① minimum order quantity = 1 packaging unit

p_{min} – p_{max}: min. – max. operating pressure, i. e. incoming pressure Pipelife Gas-Stop™.

V_N: nominal flow in m³/h for p_{min} – p_{max}, related to natural gas (d = 0.6 in standard condition 1013.25 mbar, 0°C)

The **Universal type U** meets perfectly the practical requirements of the operating pressure range and the required flow volume. Type U is available without, or as type U_{UE} with surplus flow opening.

The **Special type S** is designed for high nominal flow rates and adapted to the flow capacities of standard pressure regulators.

Type A/D, U_{UE}, S: FRIASTOPP-Pipelife Gas-Stop™ with surplus flow device

Surplus flow volume

A/D: 30 l/h with 100 mbar

U_{UE} and S: 30 l/h with 1 bar.

Type U, S: FRIASTOPP-Pipelife Gas-Stop™ without surplus flow device

Leak rate 3.0 l/h.

Other types on request.

FRIALEN-Safety fittings can be fused to pipes SDR 11 – 17.6. Minimum wall thickness s_{min} ≥ 3 mm. Other SDR-stages on request. Please observe the marking directly at the product, which is mandatory. DVGW-Registration Nos.

FRIALONG = DV-8601AU2248.

Pipelife Gas-Stop™ according DVGW G 5305-2 (01.10.2013) = DG-4360BP0060.

FRIALEN® SAFETY FITTINGS

FRIASTOPP LONG COUPLERS WITH INTEGRATED PIPELIFE GAS-STOP™ SYSTEM

Areas of Application

FRIASTOPP is used for gas and service lines according to DVGW G459-1 appendix (12/03) with operating pressure from 25 mbar – 5 bar.

FRIASTOPP is a safety device which automatically cuts off the gas flow in the event of pipe damage, e.g. caused by dredging or drilling.

FRIASTOPP is best installed in the branch between mains and service line, immediately behind the service line valve.

The Pipelife Gas-Stop™ type selection takes place according to the minimum operating pressure and the required flow output based on consumption.

The **universal type U** covers the practical requirements of the operating pressure range and the required flow volume perfectly. Type U is available without, or as Type U_{UE}, with surplus flow opening.

Functions

(see also leaflet on technical data “Pipelife Gas-Stop™” by Pipelife Austria GmbH & Co KG, <http://www.pipelife-gasstop.com>).

FRIASTOPP shuts off automatically at a defined gas flow as typically occurs with damaged gas service lines. Gas flow is cut off instantaneously and completely. The types A/D, U_{UE} and S have surplus flow devices. The surplus flow amount available increases the pressure in the intact gas line allowing the Gas-Stop™ to reopen automatically.

Type A/D, U_{UE} and S: Pipelife Gas-Stop™ with surplus flow device:

Surplus flow amounts over 30 l/h require additional passive safety measures according to DVGW-G459-1-B.

Types U and S without surplus flow opening are reopened when counter pressure (approx. mains pressure) is applied. It does not need to be made accessible for this purpose.

Assembly Instructions

FRIASTOPP is to be processed according to the installation and operating instructions which come with each FRIASTOPP. Constricting the gas route by means of FRIASTOPP is possible up to 10 bar regardless of whether the Gas-Stop™ is open or shut. The initial mains pressure of the component can be gleaned from the data plate:

- purple data plate (Type U) for 35 mbar to 5 bar
- blue data plate (Type A/D) for 25 mbar to 1 bar
- red data plate (Type S) for 200 mbar to 5 bar.

The use of this component should be marked at the main shut-off device of the building (appropriate label is included in the delivery).

Fusion of FRIASTOPP with the HD-PE service line takes place using the FRIALEN-fusion process – leakproof and longitudinally strong.

Installation is prepared according to the general installation requirements (see “Assembly Instructions” for “FRIALEN-Safety Fittings for house connections and distribution pipes up to d 225”), i.e. remove oxidic layer and clean.

Good reasons for using FRIASTOPP:

- Factory made combination made from FRIALEN long coupler and Pipelife Gas-Stop™
- The reduction of the cold zones by the integrated Pipelife Gas-Stop™ is compensated in comparison to the standard coupler
- Each FRIASTOPP fitting is subject to a functional control in our works
- The exposed heating coil and the extra wide fusion zones ensure optimum heat transmission to the pipe
- Additional barcode for tracing back the underground fitting (Traceability-Coding)
- The fitting may be installed in any position
- Each FRIASTOPP is marked with a own serial number
- The type label is adhesive and can be directly applied for e.g. constructional logs

The Pipelife Gas-Stop™:

- has a low pressure loss
- is largely resistant to pollutants in the gas
- is made from plastic and is therefore corrosion resistant and has a long life
- is tried and tested millions of times in over twenty years
- an increase in operating pressure possible anytime with suitable mains
- is subject to a 100% function test
- Universal type U: universal application, simple storage, no danger of confusion, low operational training cost
- is easy to use

The Special Type S:

- is suitable for higher nominal flow rates
- enables an optimized dimensioning of connecting pipes
- the nominal flow rates meet the requirements of standard pressure regulators