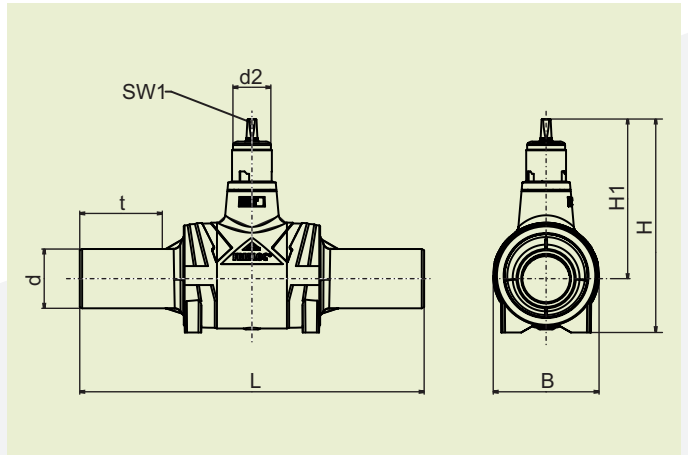


FRIALEN® SAFETY FITTINGS

FRIALOC SHUT-OFF VALVE WITH SHUT-OFF MECHANISM SUITABLE FOR PLASTICS APPLICATION: WATER



PE 100 SDR 11
Maximum working pressure 16 bar (water)

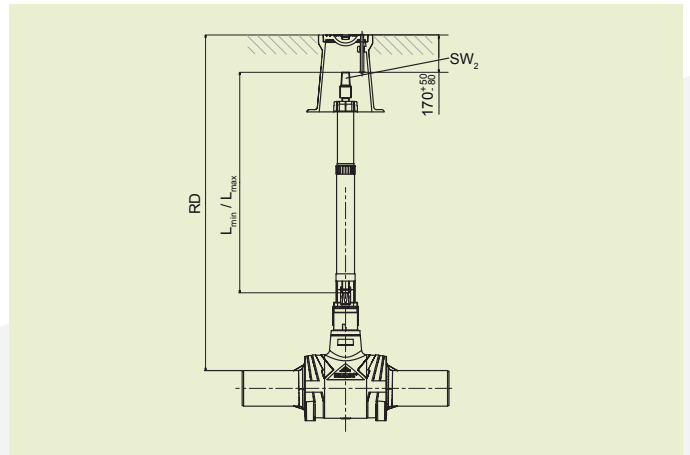


d	d ₂	Order Ref.	Stock-status	BX	PU	L	t	B	SW ₁	H1	H	Turns Open/close	Weight kg/each
90	80	616293	1	1	8	720	158	225	19	335	450	9.00	13.900
110	80	616294	1	1	8	720	164	225	19	335	450	9.00	14.200
125	80	616295	1	1	8	720	174	225	19	335	450	9.00	14.500
160	80	616296	1	1	2	1010	196	330	19	450	608	14.00	37.900
180	80	616297	1	1	2	1030	210	330	19	450	608	14.00	39.000
200	80	616453 ①	3	1	2	1030	120	330	19	450	608	14.00	44.600
225	80	616298 ①	1	1	2	1030	124	330	19	450	608	14.00	45.500
250	80	616438 ①	3	1	2	1030	132	330	19	450	608	14.00	46.000

Registered by DVGW under registration no. DW-6210BT0171. Please observe the marking directly at the product, which is mandatory.

① limited passage corresponds to dim. d 180

FBS INSTALLATION KITS FBS FOR FRIALOC® PE SHUT-OFF VALVES WITH KLICKFIX® SYSTEM.



bars of hot zinc dipped steel

RD in m	Order Ref.	Stock-status	BX	PU	Lmin	Lmax	SW ₂	Weight kg/each
0,75 - 1,0	616308	1	1	42	397	571	30	2.500
0,9 - 1,3	616309	1	1	42	552	881	30	2.950
1,2 - 1,8	616310	1	1	42	817	1441	30	3.850
1,5 - 2,3	616318	1	1	42	1035	1847	30	4.400

bars of stainless steel

RD in m	Order Ref.	Stock-status	BX	PU	Lmin	Lmax	SW ₂	Weight kg/each
0,75 - 1,0	616315	3	1	42	397	571	30	2.400
0,9 - 1,3	616316	1	1	42	552	881	30	2.800
1,2 - 1,8	616317	1	1	42	817	1441	30	3.450
1,5 - 2,3	616319	3	1	42	1035	1847	30	4.150
2,4 - 3,5	616326	3	1		1875	3460	30	6.350

Please note: For FRIALOC from d 160 RD - 0.1 m.
Other lengths on request.

FRIALEN® SAFETY FITTINGS

FRIALOC SHUT-OFF VALVE WITH SHUT-OFF MECHANISM SUITABLE FOR PLASTICS APPLICATION: WATER

Range of use / application

FRIALOC is used as shut-off valve in water piping systems. The free passage of the PE shut-off valve shows no constrictions with regard to the connecting pipe SDR 11. Actuation is made from the street cap using the installation kit FBS. Thanks to the innovative shut-off mechanism, activation is possible with only a few turns and without major force. For further information see this data sheet page 2 or data sheet installation kit FBS No. 63/07.

Notes on processing

The FRIALOC shut-off valve made of polyethylene is homogeneously connected to the PE piping by FRIALEN fusion using FRIALEN safety fittings. This requires no gaskets, material transitions, or mechanical connections. The homogeneous joint is permanently leak-tight and friction-locked. Corrosion protection is not required. The shut-off valve can also be integrated into existing piping networks made of other materials, e.g. using flanges.

Please observe the notes on the installation of the FRIALOC shut-off valve in the FRIALEN assembly instructions for house service and supply pipings up to d 225.

Good reasons for using the FRIALOC:

- **FRIALOC facilitates the completely fused and homogeneous PE piping without flanges and material transitions**
- **Typically PE: no corrosion, no incrustation**
- **Innovative two-flap mechanism for a reliable shut-off under all operating conditions**
- **Low-wear drive: proven in fatigue test by 2,500 dynamic test cycles under maximum pressure**
- **Hygiene: no stagnating water, minimised sealing area**
- **Corrosion-resistant metal materials**
- **Significant weight saving compared to metal valves**
- **Special contour for a pull-tight and dirt-proof connection to the protective pipe of the FRIALEN-FBS**
- **Low actuation forces, smooth-running even given under full differential pressure**
- **Few turns for opening/closing**
- **Optimal hydraulics thanks to a full-port passage, no constrictions**
- **Stable support in the ditch bottom thanks to large support area**
- **Length of connecting d 90-d 180 couplers designed for two fusion processes, can be reduced for compact shape**
- **Each single shut-off valve is inspected by the factory after mounting**
- **Production data are saved, archived, and can be documented via a traceability barcode**