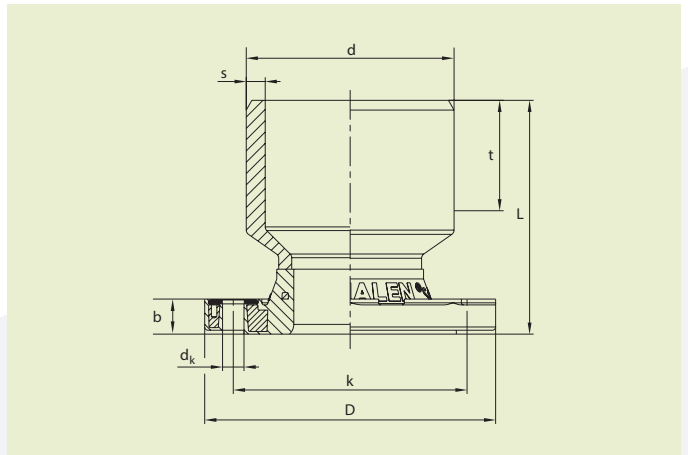


FRIALEN® SAFETY FITTINGS

FLR FLANGE REDUCER



PE 100 SDR 11

Maximum working pressure 16 bar (water)



d/DN	Order Ref.	Stock-status	BX	PU	D	L	t	d _k	Ø k	s	Holes for screw	b	Weight kg/each
110/80	616065	1	3	96	204	161	82	17	160	10	8	25	3.500
160/100	616241	1	2	64	224	180	85	17	180	14,6	8	27	4.060
225/100	616242	3	2	36	224	270	110	17	180	20,5	8	27	5.390

FRIALEN® SAFETY FITTINGS

FLR FLANGE REDUCER

Area of Application

The FRIALEN FLR flange reducer is used as material adapter. In addition, there are specific options for the direct connection of

- Flange valves in reduced branches in connection with a FRIALEN T-piece or a FRIALEN Spigot Saddle SA
- Hydrants at FRIALEN elbows with base WF 90° - d 110

The compact component ensures that the reduced flange connection is achieved easily, quickly and economically.

For the vertical connection of hydrants with elbows with base unit WF 90° or T-pieces T it is necessary to regard the height of coverage.

The constructive design eliminates the familiar cold flow behaviour of HD-PE around the flange connection. Protective measures against corrosion are not required.

Processing Advice

Fusion of the pipe socket takes place according to the FRIALEN assembly instructions. Flange design according to DIN EN 1092-1. Grommets are required for the flange connections. All standard profile and flat gaskets may be used. We recommend profile gaskets type G-St. Please observe gasket manufacturers' instructions with regards to screw torque.

Good reasons for FRIALEN FLR flange reducers:

- **Compact component for material connection and direct reduction**
- **Simple valve integration**
- **Fixed flange for maximum stability**
- **No corrosion measures necessary for FLR**
- **Safe assembly using screws, typical plastic cold flow behaviour eliminated due to intelligent construction**
- **Component traceability through traceability barcode**