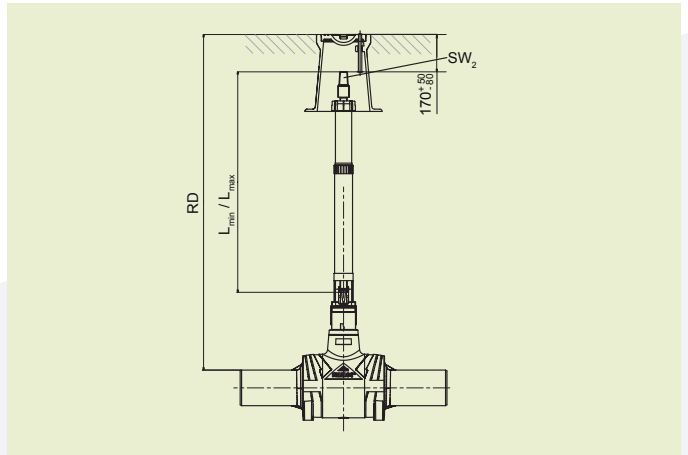


FRIALEN® SAFETY FITTINGS

FBS INSTALLATION KITS FBS FOR FRIALOC® PE SHUT-OFF VALVES WITH KLICKFIX® SYSTEM.



bars of hot zinc dipped steel

RD in m	Order Ref.	Stock-status	BX	PU	Lmin	Lmax	SW ₂	Weight kg/each
0,75 - 1,0	616308	1	1	42	397	571	30	2.500
0,9 - 1,3	616309	1	1	42	552	881	30	2.950
1,2 - 1,8	616310	1	1	42	817	1441	30	3.850
1,5 - 2,3	616318	1	1	42	1035	1847	30	4.400

bars of stainless steel

RD in m	Order Ref.	Stock-status	BX	PU	Lmin	Lmax	SW ₂	Weight kg/each
0,75 - 1,0	616315	3	1	42	397	571	30	2.400
0,9 - 1,3	616316	1	1	42	552	881	30	2.800
1,2 - 1,8	616317	1	1	42	817	1441	30	3.450
1,5 - 2,3	616319	3	1	42	1035	1847	30	4.150
2,4 - 3,5	616326	3	1		1875	3460	30	6.350

Please note: For FRIALOC from d 160 RD - 0.1 m.
Other lengths on request.

FRIALEN® SAFETY FITTINGS

FBS INSTALLATION KITS FBS FOR FRIALOC® PE SHUT-OFF VALVES WITH KLICKFIX® SYSTEM.

Area of application

Telescopic activation bar to operate the FRIALOC PE shut-off valve from the street cap.

Assembly instructions

Before fusion, the FRIALOC PE shut-off valve must be aligned corresponding to the planned actuation to guarantee a correct positioning of the FRIALEN installation kit (FBS).

Good reasons for the installation kit FBS for FRIALOC PE shut-off valves:

- easy and safe installation thanks to KlickFix® system
- protective pipe of polyethylene protects from intrusion of sand or soil
- pull tight connection between FRIALOC and protective pipe: solid and dirt-proof
- assembly without tools
- self-supporting in all telescopic positions
- safe from being pulled out
- corrosion-resistant
- telescopic installation kit can also be adjusted even once in place and filled
- constructive harmonizing of the transferable torque onto the FRIALOC PE shut-off valve
- Connexion pins made of stainless steel