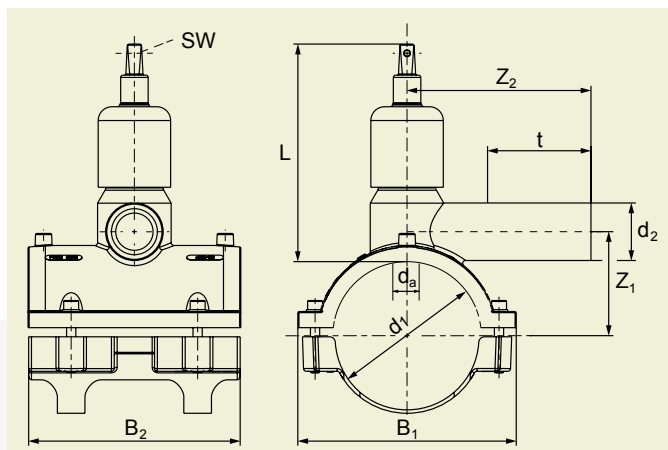


FRIALEN® SAFETY FITTINGS

DAV PRESSURE TAPPING VALVES WITH EXTRA LONG OUTLET SPIGOT



PE 100 SDR 11

Maximum working pressure 16 bar (water)/10 bar (gas)



d ₁	d ₂	Order Ref.	Stock-status	BX	PU	L	t	z ₁	z ₂	B ₁	B ₂	Drilling Ø d ₁	Turns Open/close	Weight kg/each
50	32	615955	1	16	288	164	89	45	117	85	95	20	7.00	1.310
63	32	615341	1	16	288	164	85	53	115	98	105	20	7.00	0.950
63	40	615342	1	16	288	164	92	56	125	98	105	20	7.00	0.970
75	32	615956	1	12	216	164	88	59	130	113	125	20	7.00	1.390
90	32	615344	1	12	96	200	84	71	126	146	150	30	7.00	1.750
90	50	615346	1	12	96	200	105	74	152	146	150	30	7.00	1.800
90	63	615347	1	12	96	200	118	74	166	146	150	30	7.00	1.870
110	32	615348	1	10	80	200	84	80	126	170	180	30	7.00	1.990
110	50	615350	1	10	80	200	104	82	155	170	180	30	7.00	2.060
110	63	615351	1	10	80	200	118	82	180	170	180	30	7.00	2.120
125	32	615352	1	10	80	200	83	84	133	190	185	30	7.00	2.185
125	50	615354	1	10	80	200	102	89	160	190	185	30	7.00	2.245
125	63	615355	1	10	80	200	115	82	180	190	185	30	7.00	2.320
140	63	615930	1	10	80	200	115	90	180	210	185	30	7.00	2.290
160	32	615356	1	6	48	251	82	115	124	225	200	30	10.00	2.670
160	50	615358	1	6	48	251	104	119	154	225	200	30	10.00	2.750
160	63	615359	1	6	48	251	117	124	176	225	200	30	10.00	2.810
180	32	615361	1	5	40	251	82	125	124	242	200	30	10.00	2.680
180	50	615363	1	5	40	251	104	129	154	242	200	30	10.00	2.760
180	63	615364	1	5	40	251	117	134	176	242	200	30	10.00	2.820
200	32	615366 ②	3	5	40	251	82	135	124	263	220	30	10.00	2.770
200	50	615368 ②	3	5	40	251	111	139	154	263	220	30	10.00	2.830
200	63	615369	1	5	40	251	117	142	176	263	220	30	10.00	2.900
225	32	615374	1	5	40	251	82	148	124	274	220	30	10.00	2.790
225	50	615376	1	5	40	251	111	152	154	274	220	30	10.00	2.850
225	63	615377	1	5	40	251	117	155	176	274	220	30	10.00	2.920

FRIALEN-Pressure Tapping Valves DAV ≤ d 63 can be used for pipes of SDR stage 11 and > d 63 of SDR stages 11 to 17.6. Minimum wall thickness s min ≥ 3 mm. Other SDR-stages on request. Please observe the marking directly at the product, which is mandatory. DVGW-Registration No. DV-6611AU2255

FRIALEN® SAFETY FITTINGS

DAV PRESSURE TAPPING VALVES WITH EXTRA LONG OUTLET SPIGOT

Areas of Application

The FRIALEN-Pressure Tapping Valves DAV are used for branches of unpressurised and pressurised gas and water pipelines. Outlet spigots are prepared for receiving gas flow controllers. Dimensions on request.

Assembly Instructions

The fusion of the HD-PE distribution pipes and the house connections with FRIALEN-Pressure Tapping Valves takes place by FRIALEN-fusing – leakproof and longitudinally strong.

For tapping as well as “OPEN/CLOSE” an amount of turns with the key are required as follows:
– 10 turns for d 160-225
– 7 turns for d 50-140

The saddle and the outlet spigot have to be prepared according to the general installation instructions (see “Assembly Instructions” for “FRIALEN-Safety Fittings for house connections and distribution pipes up to d 225”). This involves removing the oxide skin and cleaning the pipe covered by the saddle as well as the outlet spigot and the pipe end.

Good reasons for using the FRIALEN-DAV:

- Only 7-10 turns to activate “OPEN/CLOSE”
- Simplified appliance due to little drilling strengths
- Higher flow result, less loss of pressure: in position “OPEN” the drill is not in the floating cross-section
- Fusing and drilling of the main under maximum permitted working pressure gas/water
- Compact part in HD-PE
- Preassembled unit without loose parts
- No preventive measures necessary with regard to corrosion
- Actuating spindle in stainless steel
- Swarfless tapping due to rotating punching drill made of stainless steel
- Punched-out pipe piece fits securely in drill
- Drill with upper and lower stop
- Length of outlet spigot dimensioned for two fusion operations
- Maintenance free, operating isolating valve actuated by a linkage (e.g. FRIALEN-EBS)
- Additional barcode for tracing back the fitting (Traceability-Coding)