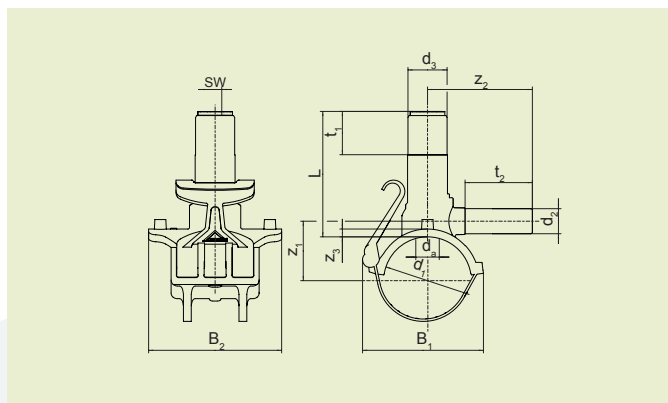


FRIALEN® SAFETY FITTINGS

DAA PRESSURE TAPPING TEES WITH EXTRA LONG OUTLET SPIGOT



PE 100 SDR 11

Maximum working pressure 16 bar (water)/10 bar (gas)



d ₁	d ₂	Order Ref.	Stock-status	BX	PU	d ₃	L	t ₁	t ₂	z ₁	z ₂	z ₃	B ₁	B ₂	WS in mm	Drilling Ø d _a	Weight kg/each
40	20	612630	1	30	240	50	120	50	66.00	32	105	8	85	136	17	25	0.370
40	25	616473	1	30	240	50	120	50	83.00	32	122	8	85	136	17	25	0.380
40	32	616474	1	30	240	50	120	50	86.00	32	125	8	85	136	17	25	0.385
50	20	616475	1	28	224	50	120	50	66.00	37	108	8	95	136	17	25	0.385
50	25	612702	1	28	224	50	120	50	83.00	37	125	8	95	136	17	25	0.390
50	32	615080	1	28	224	50	120	50	86.00	37	128	8	95	136	17	25	0.400
63	20	612631	1	20	160	50	130	50	66.00	51	100	10	108	146	17	25	0.450
63	25	612633	1	20	160	50	130	50	83.00	51	118	10	108	146	17	25	0.460
63	32	612632	1	20	160	50	130	50	86.00	51	123	10	108	146	17	25	0.465
63	40	616472 ①	1	20	160	50	160	50	115.00	51	165	10	108	146	17	30	0.855
63	63	616334	1	20	160	50	160	50	115.00	51	165	10	108	146	17	30	0.635
75	32	616482	1	24	192	50	130	50	86.00	57	126	10	120	146	17	25	0.485
90	20	616483	1	14	112	50	160	50	66.00	66	106	10	137	170	17	30	0.600
90	25	616484	1	14	112	50	160	50	83.00	66	123	10	137	170	17	30	0.610
90	32	612634	1	14	112	50	160	50	86.00	66	126	10	137	170	17	30	0.615
90	40	615656 ①	1	14	112	50	160	50	115.00	66	168	10	137	170	17	30	0.950
90	50	616476 ①	1	14	112	50	160	50	115.00	66	168	10	137	170	17	30	0.960
90	63	612701	1	14	112	50	160	50	115.00	66	168	10	137	170	17	30	0.730
110	20	616487	1	14	112	50	160	50	66.00	76	111	10	152	170	17	30	0.620
110	25	616488	1	14	112	50	160	50	83.00	76	128	10	152	170	17	30	0.625
110	32	612637	1	14	112	50	160	50	86.00	76	134	10	152	170	17	30	0.630
110	40	615662 ①	1	14	112	50	160	50	115.00	76	175	10	152	170	17	30	1.000
110	50	616477 ①	1	14	112	50	160	50	115.00	76	175	10	152	170	17	30	1.010
110	63	612624	1	14	112	50	160	50	115.00	76	175	10	152	170	17	30	0.780
125	20	616491	1	12	96	50	160	50	66.00	83	111	10	167	170	17	30	0.650
125	25	616492	1	12	96	50	160	50	83.00	83	131	10	167	170	17	30	0.655
125	32	612649	1	12	96	50	160	50	86.00	83	138	10	167	170	17	30	0.670
125	40	615668 ①	1	12	96	50	160	50	115.00	83	180	10	167	170	17	30	1.020
125	50	616478 ①	1	12	96	50	160	50	115.00	83	180	10	167	170	17	30	1.030
125	63	612309	1	12	96	50	160	50	115.00	83	180	10	167	170	17	30	0.800
140	32	616495	1	12	96	50	160	50	86.00	91	141	10	170	170	17	30	0.700
140	63	616496	1	12	96	50	160	50	115.00	91	185	10	170	170	17	30	0.830
160	20	616497	1	10	80	50	160	50	66.00	106	108	10	195	186	17	30	0.730
160	25	616498	1	10	80	50	160	50	83.00	106	128	10	195	186	17	30	0.735
160	32	612641	1	10	80	50	160	50	86.00	106	137	10	195	186	17	30	0.745
160	40	615675 ①	1	10	80	50	160	50	115.00	106	185	10	195	186	17	30	1.095
160	50	616480 ①	1	10	80	50	160	50	115.00	106	185	10	195	186	17	30	1.105
160	63	612650	1	10	80	50	160	50	115.00	106	185	10	195	186	17	30	0.875
180	20	616501	1	10	80	50	190	50	66.00	116	110	10	203	186	17	30	0.785
180	25	616502	1	10	80	50	190	50	83.00	116	132	10	203	186	17	30	0.790
180	32	612651	1	10	80	50	190	50	86.00	116	141	10	203	186	17	30	0.790
180	50	616481 ①	1	10	80	50	190	50	115.00	116	188	10	203	186	17	30	1.170
180	63	612652	1	10	80	50	190	50	115.00	116	188	10	203	186	17	30	0.940
200	32	612654	1	8	64	50	190	50	86.00	126	144	10	205	186	17	30	0.810
200	63	612659	1	8	64	50	190	50	115.00	126	190	10	205	186	17	30	0.950
225	32	612657	1	8	64	50	190	50	86.00	138	146	10	214	186	17	30	0.835
225	50	616486 ①	1	8	64	50	190	50	115.00	138	197	10	214	186	17	30	1.210
225	63	612655	1	8	64	50	190	50	115.00	138	197	10	214	186	17	30	0.980

① with electrofusion reducers MR d 63/40 or d 63/50.

FRIALEN Pressure Tapping Tees d 40 can be fused to pipes SDR 11 and ≥ d 50 to pipes SDR 11 - 17.6. Other SDR on request. Please observe the marking directly at the product, which is mandatory.

Please turn over for important information regarding application of our products.

FRIALEN® SAFETY FITTINGS

DAA PRESSURE TAPPING TEES WITH EXTRA LONG OUTLET SPIGOT



Areas of Application

The FRIALEN Pressure Tapping Tees DAA are used as branch fittings and can be fused to mains that are unpressurised or under operating pressure.

Assembly Instructions

The fusion of FRIALEN Pressure Tapping Tee DAA to the PE-HD main and the service pipe takes place by FRIALEN fusing - leakproof and longitudinally strong.

The pipe, saddle and the outlet spigot are prepared (oxide layer removed/cleaned) in accordance with the general installation instructions (see "Assembly instructions" for FRIALEN Safety Fittings for house connections and distribution pipes up to d 225).

Thanks to its innovative and patented clamping mechanism, the FRIALEN Pressure Tapping Tee DAA can also be installed without any tool quickly and reliably on the HD-PE main when it exhibits ovality or has expanded under operating pressure.

Good reasons for using the FRIALEN Pressure Tapping Tees DAA:

- Compact design
- Simple and reliable assembly without any tool thanks to the patented fast clamping lever
- The flexible saddle compensates pipe tolerances and always provides optimal, uniform buildup of melt pressure during fusion
- Assembly without special tools
- The Pressure Tapping Tee is one unit with captive parts
- Only one 17 mm wrench size for tapping and installing the plug
- Chipless tapping
- Leak-free tapping of gas mains under operating pressure up to 10 bar
- Low torque needed for tapping
- Punched-out pipe piece fits securely in the drill
- Stable thread as guidance for the driller during tapping process even at large pipe wall thicknesses and low temperatures
- Solid upper and lower stop of driller, with integrated torque limiter
- Extra wide fusion zone
- After tapping, stack can be fused non-accessible with FRIALEN cap K
- Outlet spigot length measured for two fusion operations
- Additional barcode for traceability (traceability coding)
- Both barcodes exposed on fast clamping lever for easy scanning with readerwand or barcode scanner