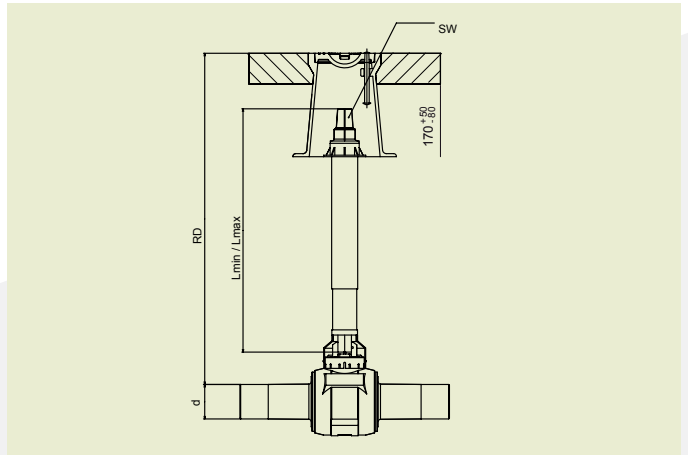


FRIALEN® SAFETY FITTINGS

BS INSTALLATION KITS FOR BALL VALVES AND TAPPING BALL VALVES (STANDARD AND TOP-LOADING)



d	RD in m	Order Ref.	Stock-status	BX	PU	Lmin	Lmax	SW ₁	Weight kg/each
20-50	0,45-0,70	615741	1	1	42	398	543	30	1.800
20-50	0,60-1,00	615957	1	1	42	548	843	14	2.700
20-50	0,60-1,00	615328	1	1	42	490	785	30	2.000
20-50	1,00-1,50	616466	1	1	42	759	1303	14	3.400
20-50	1,00-1,50	615330	1	1	42	799	1343	30	3.400
20-50	1,20-2,00	616068	1	1	42	991	1785	14	3.450
20-50	1,20-2,00	615329	1	1	42	1049	1843	30	3.650
63-225	0,60-1,00	615958	1	1	42	537	812	14	2.050
63-225	0,60-1,00	615310	1	1	42	490	785	30	3.050
63-225	1,00-1,50	616467	1	1	42	746	1272	14	4.150
63-225	1,00-1,50	615331	1	1	42	786	1312	30	4.150
63-225	1,20-2,00	616069	1	1	42	980	1754	14	3.600
63-225	1,20-2,00	615311	1	1	42	1038	1812	30	5.250

Key width SW₁ 14 mm for use as house connection fitting

Other length on request.

For full-port passage ball valve KH d50 select version BS d63-225

FRIALEN® SAFETY FITTINGS

BS INSTALLATION KITS FOR BALL VALVES AND TAPPING BALL VALVES (STANDARD AND TOP-LOADING)

Areas of Application

Telescopic actuating linkage for operation of the FRIALEN KHP, KH, KHW, AKHP und AKHP-TL from the street cap.

Assembly Instructions

Before fusion, the FRIALEN KHP, KH, KHW, AKHP and AKHP-TL must be aligned to suit the type of actuation intended, in order to ensure that the installation kit BS will seat correctly.

Good reasons for using the FRIALEN-Installation kits BS:

- Protective pipe of polyethylene protects from intrusion of sand or soil
- Assembly without tools
- Self supporting in any extended position
- Safe from being pulled out
- Corrosion proof
- Telescope assembly set can be adjusted even once in place and filled
- Constructive harmonizing of the transferable torque onto the FRIALEN-Ball Valve
- Connection pins made from stainless steel
- Coloured marking disk for use with gas and water
- Parts of the protective pipe are fully welded together