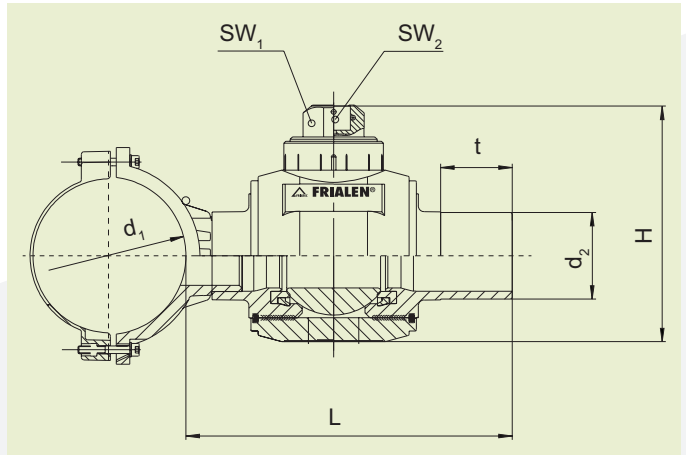
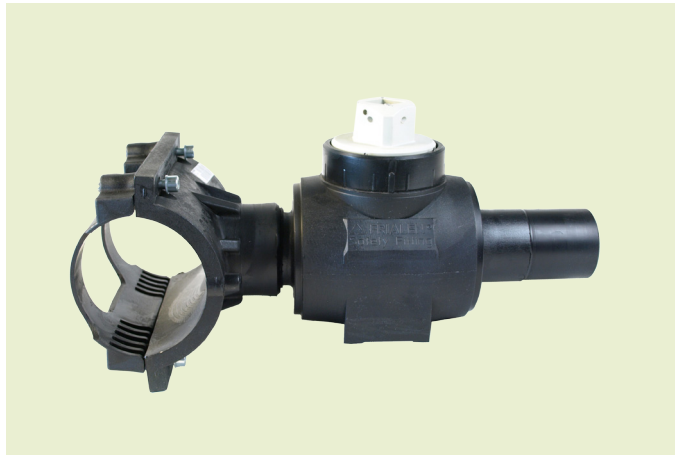


## FRIALEN® SAFETY FITTINGS

### **AKHP** TAPPING BALL VALVES IN HD-PE, 1/4 TURN, FOR SIDE TAPPING UNDER PRESSURE



**PE 100 SDR 11**

**Maximum working pressure 16 bar (water)/10 bar (gas)**



$d_1$	$d_2$	Order Ref.	Stock-status	BX	PU	L	t	SW <sub>1</sub>	SW <sub>2</sub>	H	Drilling Ø d	Weight kg/each
110	63	615427	1	6	48	330	110	50 x 50	25	180	42	3.070
110	90	615428	1	4	32	335	90	50 x 50	25	240	60	4.670
125	90	615431	1	4	32	335	90	50 x 50	25	240	60	4.790
160	63	615433	1	4	32	330	110	50 x 50	25	180	42	3.300
160	90	615434	1	4	32	335	90	50 x 50	25	240	60	5.000
180	90	615437	1	4	32	335	90	50 x 50	25	240	60	5.000
225	63	615439	3	4	32	330	110	50 x 50	25	180	42	5.000
225	90	615440	1	4	32	335	90	50 x 50	25	240	60	5.000

FRIALEN-Tapping Ball Valves can be used for pipes of SDR stages 11 to 17.6. DVGW-Registration Nos. AKHP: DG-8631AU2252 and DG-8631AU2253

For tapping of pipes under pressure we recommend tapping equipment of Hütz + Baumgarten.

## FRIALEN® SAFETY FITTINGS

# AKHP TAPPING BALL VALVES IN HD-PE, 1/4 TURN, FOR SIDE TAPPING UNDER PRESSURE

### Areas of Application

The FRIALEN-Tapping Ball Valve, completely made from HD-PE, makes it possible to tap sideways into an operational HD-PE mains under gas and water pressure – without any escape of gas or water.

### Assembly Instructions

The fusion of FRIALEN Tapping Ball Valves to the HD-PE main takes place by FRIALEN fusing – leakproof and longitudinally strong. The pipe and the saddle have to be prepared (oxide layer removal/cleaning) in accordance with the general installation instructions (see „Assembly Instructions“ for FRIALEN Safety Fittings for house connections and distribution pipes up to d 225).

### Tapping of the HD-PE pipe under operating pressure

For this we recommend the tapping equipment of Hütz + Baumgarten. It is clamped onto the exposed fusion end of the ball valve. The tapping of the HD-PE pipe takes place through the opened ball valve and is leakage free.

### Actuating the shut-off valve

By the telescopic actuating installation kit BS from the valve cover.

### Good reasons for using the FRIALEN-Tapping Ball Valves:

- Fusioning and tapping under pressure saves time-consuming and expensive shut-offs and emergency supply during the integration
- Installation of mains and service lines takes place on one level and thus affords advantages in the planning stages
- Construction and connecting works are reduced to a minimum
- The ball valve can be used as a shut-off device afterwards
- Additional barcode for tracing back the underground fitting (Traceability-Coding)