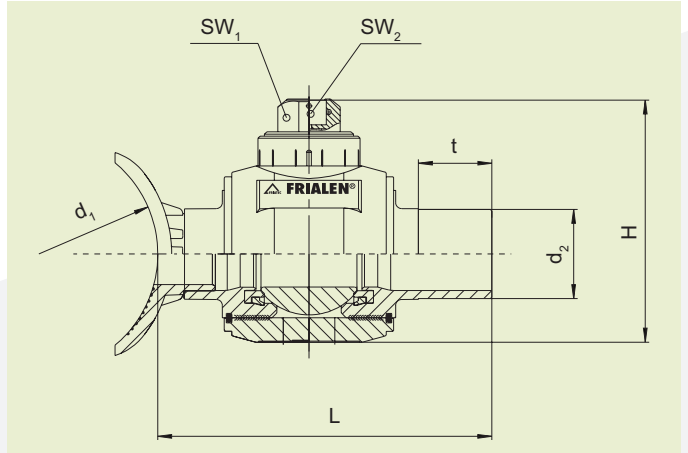


## FRIALEN® SAFETY FITTINGS

### **AKHP TL** TAPPING BALL VALVES IN HD-PE, 1/4 TURN, TOP-LOADING FOR SIDE TAPPING UNDER PRESSURE



**PE 100 SDR 11**

**Maximum working pressure 16 bar (water)/10 bar (gas)**



d <sub>1</sub>	d <sub>2</sub>	Order Ref.	Stock-status	BX	PU	L	t	SW <sub>1</sub>	SW <sub>2</sub>	H	Drilling Ø d <sub>1</sub>	Weight kg/each
250-450 (560)	63	615525 ①	3	4	32	330	110	50 x 50	25	180	42	2.770
250-450 (560)	90	615526 ①	1	4	32	335	90	50 x 50	25	240	60	4.470

① d<sub>1</sub>: d 250 up to d 450 for pipes SDR 11 and 17;

d<sub>1</sub>: > d 450 up to d 560 for pipes SDR 17

DVGW-Registration Nos. AKHP-TL.: DG-8631AU2253

For tapping of pipes under pressure we recommend tapping equipment of Hütz + Baumgarten.

Please refer to the instructions of the drilling tool.

## FRIALEN® SAFETY FITTINGS

# AKHP TL TAPPING BALL VALVES IN HD-PE, 1/4 TURN, TOP-LOADING FOR SIDE TAPPING UNDER PRESSURE

### Areas of Application

The FRIALEN-Tapping Ball Valve, completely made from HD-PE, makes it possible to tap sideways into an operational HD-PE mains under gas and water pressure – without any escape of gas or water.

### Assembly Instructions

For this version the saddle will be mounted using the FRIATOP Clamping Unit (see list of Technical Equipment). Please read the separate leaflet “Assembly and Operating Instructions for FRIATOP clamping unit (Top-Loading)”.

The fusion of FRIALEN Tapping Ball Valves to the HD-PE main takes place by FRIALEN fusing – leakproof and longitudinally strong. The pipe and the saddle have to be prepared (oxide layer removal/cleaning) in accordance with the general installation instructions (see „Assembly Instructions“ for FRIALEN XL for laying large pipes and relining pipe networks).

### Tapping of the HD-PE pipe under operating pressure

For this we recommend the tapping equipment of Hütz + Baumgarten. It is clamped onto the exposed fusion end of the ball valve. The tapping of the HD-PE pipe takes place through the opened ball valve and is leakage free.

### Actuating the shut-off valve

By the telescopic actuating installation kit BS from the valve cover.

### Good reasons for using the FRIALEN-Tapping Ball Valves:

- Fusioning and tapping under pressure saves time-consuming and expensive shut-offs and emergency supply during the integration
- Installation of mains and service lines takes place on one level and thus affords advantages in the planning stages
- Construction and connecting works are reduced to a minimum
- The ball valve can be used as a shut-off device afterwards
- Can be applied universally to large HD-PE pipe diameters d 250-450 (560). This means additional economy due to less material needed
- Additional barcode for tracing back the underground fitting (Traceability-Coding)