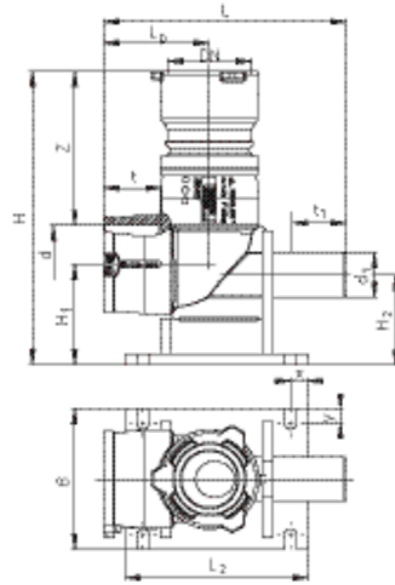


**WFGB**

**FRIALEN Safety Fittings**

FRIALEN-Data Sheet No. 55/03 · Update 01/19



PE 100 SDR 11

Maximum working pressure 16 bar (water)



SKU	d/DN	d <sub>1</sub>	BX	PU	L <sub>1</sub>	l <sub>p</sub>	t	t <sub>1</sub>	B	Z	H <sub>1</sub>	H <sub>2</sub>	L <sub>2</sub>	H	Weight kg/each
616150	110/80	63	3.0	12	346	151.0	81	75	200.0	220.0	142	127.0	260.0	418	8.2

For measurements of Elbow 90° with WF 90° pedestal see data sheet No. 47

FRIALEN-Safety Fittings can be fused to pipes of SDR stages 11 to 17.6

FRIALEN-Data Sheet No. 55/03 · Update 01/19

### Areas of Application

The FRIALEN-Elbow WFGB with base and adapter HD-PE/GGG allow for connection with axial force to hydrant with cast spigot of the Baio (WFGB) system.

Connecting the hydrant takes place by screwing the spigot hydrant (Baio/WFGB\*) in, until it locks into position.

The safety device for protecting the Baio connection from dirt and distortion when activating the hydrant is **not** included in the delivery schedule.

### Assembly Instructions

Please refer to the FRIALEN-assembly instructions ("Assembly Instructions" for FRIALEN-safety fittings for service and distribution lines up to d 225) for required preparation of the fusion process for the side of the elbow with HD-PE pipe and the main pipeline (mark insertion depth, remove oxidic layer, clean, etc.).

\* Mounting the cast spigot is done according to the assembly instructions by the manufacturer of the system used.

- We reserve the rights to make technical changes -

**WFGB****FRIALEN Safety Fittings**

FRIALEN-Data Sheet No. 55/03 · Update 01/19

**Good reasons for choosing the FRIALEN-Elbow 90° WFGB with base and adapter:**

Large PE coupler depth for excellent guidance of pipes and moulded parts

Small annular gap resulting in optimum joining pressure in the fusion zone

Extra wide fusion zone

Cold zone at the front and in the centre of the coupler

Exposed heating coil for optimum heat transfer to the pipe

Additional barcode for tracing back the underground fitting (Traceability-Coding)

**Advantages of the cast connection**

Locking of the cast spigot longitudinally strong, without flange – and with the option for it to be undone again

No flange bolted connections which tend to corrode and are complicated to mount

Simple hydrant connection – easily to install

Stable position of spigot hydrant on FRIALEN-Elbow 90°